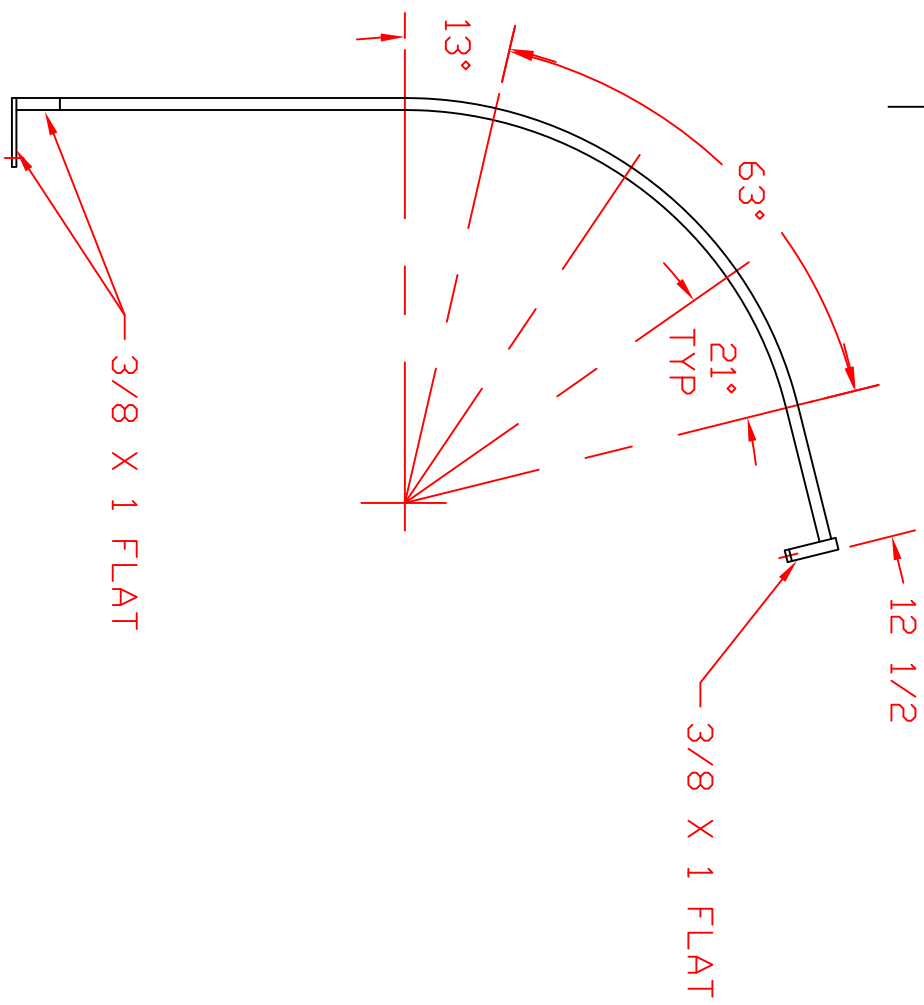
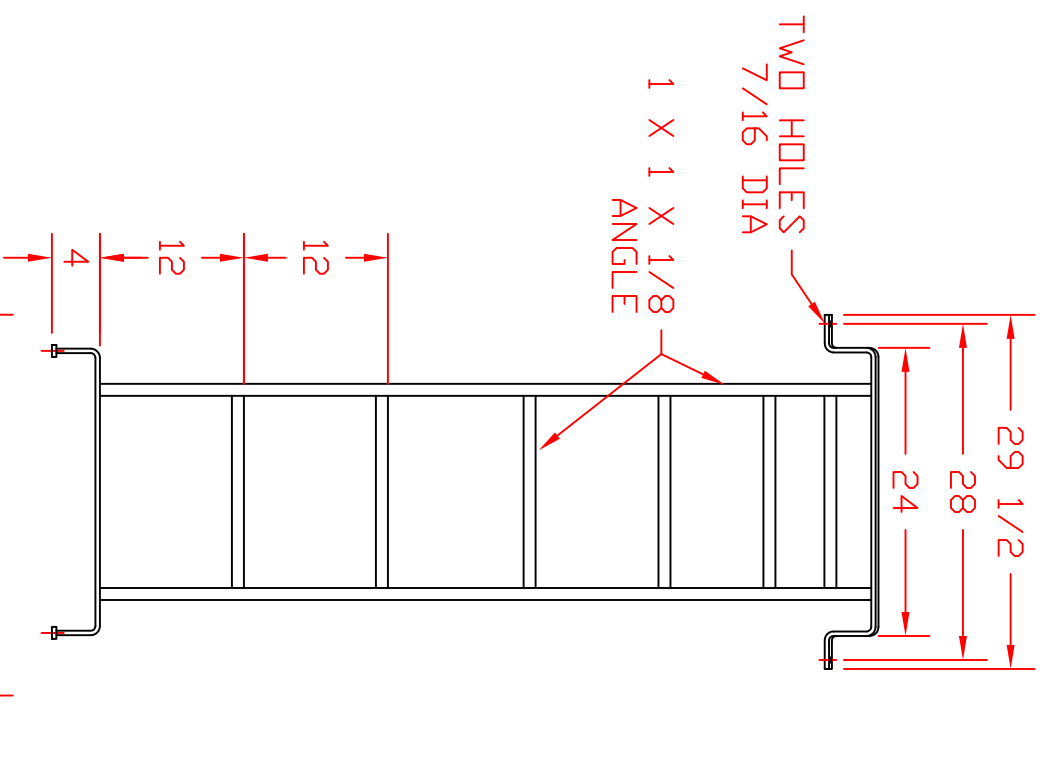


B WAS ① 5-3/4, ② 9/16 06FEB98

REVISIONS

ZONE	REV	DESCRIPTION	DATE	APPROVED
	A	REVISED & REDRAWN	23OCT97	



NORWESCO
 ST. BONIFACIUS, MN
 LADDER, 2635/3135
 ELLIPTICAL LEG TANK

JTP 23OCT97

SCALE 1/16

SIZE FSCM NO. DWG NO. REV

A 60354 B